

KARIBAN

REFERENCE : K756

SIZES : 34_36_38_40_42_44_46

COMPOSITION :

Main fabric : Cotton poplin - 140 For outside parts and pockets sack 100%cotton

Main fabric : Cotton poplin - 140 For inner contrasted waistband 100%cotton

WEIGHT :

Main fabric : 140 gsm

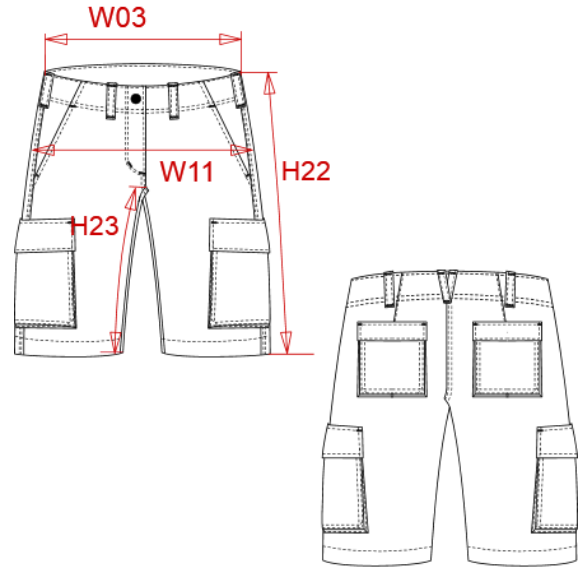
Main fabric : 140 gsm

TECHNICAL DETAIL :

Garment washed

ARTICLE WEIGHT :

250 gr/pc



DESCRIPTION	
Français :	Bermuda léger multipoches femme
English :	Ladies' lightweight multipocket bermuda shorts
Nederlands :	Lichte damesbermuda met diverse zakken
Deutsch :	Leichte Bermuda-Shorts für Damen mit mehreren Taschen
Español :	Bermuda ligera multibolsillos para mujer
Italiano :	Bermuda donna leggeri multitasche
Português :	Bermuda leve multibolsos de senhora

COLORS	PANTONE SERIGRAPHIE
Beige	7536C
Light khaki	7764C
Light charcoal	418C

MEASUREMENT							
Description	34	36	38	40	42	44	46
W03 (L)* 1/2 largeur taille / 1/2 waist width	37	38,50	40	42	44	46	48
W11 (L)* 1/2 bassin / 1/2 hip width	46	47,50	49	51	53	55	57
H22 (L)* Longueur côté / Side length	45,90	46,60	47,30	48	48,70	49,40	50,10
H23 (L)* Longueur entrejambe / Inside leg length	24,80	24,90	25	25,10	25,20	25,30	25,40

CARE LABEL				

PACKING	
Box	25 pcs / box 34 => L:60cm W:40cm H:15cm GW:7.10kg NW:5.50kg 36 => L:60cm W:40cm H:15cm GW:7.20kg NW:5.60kg 38 => L:60cm W:40cm H:15cm GW:7.45kg NW:5.85kg 40 => L:60cm W:40cm H:15cm GW:7.60kg NW:6.00kg 42 => L:60cm W:40cm H:15cm GW:7.75kg NW:6.15kg 44 => L:60cm W:40cm H:15cm GW:8.00kg NW:6.40kg 46 => L:60cm W:40cm H:15cm GW:8.10kg NW:6.50kg