

REFERENCE : KI0302

SIZES : U

COMPOSITION :

Main fabric : Cotton canvas 340 100%cotton

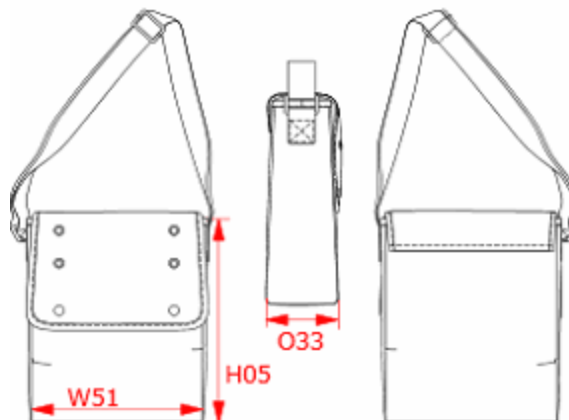
Fabric 1 : Poliester 190T PU backing For inside pocket. 100% polyester

FABRIC CONSTRUCTION AND FINISHING :

Washed canvas for vintage look

ARTICLE WEIGHT :

230 gr/pc



DESCRIPTION		COLORS	PANTONE SERIGRAPHIE
Français : Sacoche en canvas		Vintage Kaki	2327C
English : Shoulder bag in canvas		Vintage Avio	5415C
Nederlands : Shoulder bag in canvas		Black	Black
Deutsch : Mini-Reportertasche			
Español : Bolsa bandolera			
Italiano : Tracolla report			
Português : Mala a tiracolo			
MEASUREMENT			
Description	U		
H05 Hauteur totale / Total height	32		
W51 Total width	26		
O33 Deep of bottom part	11		
PACKING			
Box	50 pcs / box U => L:37cm W:36cm H:62cm GW:12,6kg NW:11,6kg		